

FS-100 / AJ-HDX900

Setup for 720-24P/PN, 720-25P/PN, and 720-30P/PN:

These settings are required for the AJ-HDX900 camera that generates a FS-100 compatible stream. These settings work with the released version of FS-100 3.0. These suggested settings are not in the AJ-HDX900 manual. They will be added to FS-100 3.1 manual.

Menu setup of HDX900:

- MAIN MENU > SYSTEM SETTING > SYSTEM MODE : 720-59.94P *
- MAIN MENU > SYSTEM SETTING > CAMERA MODE : 24P **
- OPTION MENU > OPTION > FRAME RATE UB : MENU (FRAME RATE as default)
- MAIN MENU > VTR MENU > TC/UB > UB MODE : FRAME RATE (USER as default)
- MAIN MENU > VTR MENU > TC/UB > VITC UB MODE : FRAME RATE (as default)

Switch position of HDX900:

TCG : F-RUN

* For 720-25P/PN, this must be set to 720-50P/PN.

** For 720-30P/PN, this is set to 30P. For 720-25P/PN, this is set to 25P.

Note there are three settings menus (USER, MAIN, and OPTION) on the AJ-HDX900 camera. Here are the instructions, to enter these menus, from the AG-HDX900 manual:

4-6 Menu displays on the viewfinder screen

4-6-1 Menu configuration

USER MENU:

Although USER MENU is set at the factory, the user may perform menu operations to open the <USER MENU SELECT> screen from the MAIN MENU page, select the settings for its items in accordance with the purpose of operation and setting frequency and configure a menu tailored to individual needs.

This menu appears when the MENU button is pressed.

MAIN MENU:

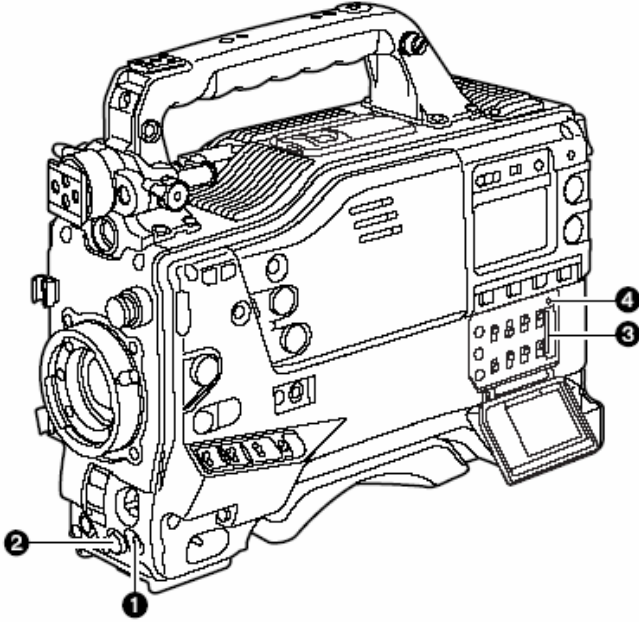
This enables all the items on the setting menus to be set. It can be organized hierarchically by category in accordance with the purpose of operation and setting frequency. It appears when the MENU button is pressed for 3 or more seconds.

OPTION MENU:

This menu is provided to accommodate the functions that may be added in the future. It appears when the MENU button is pressed while the LIGHT button is held down:

The MENU button and the JOG wheel (turned to highlight menu options and pressed to select highlighted options) are located at the front of the camera:

2-4 Menu operation section



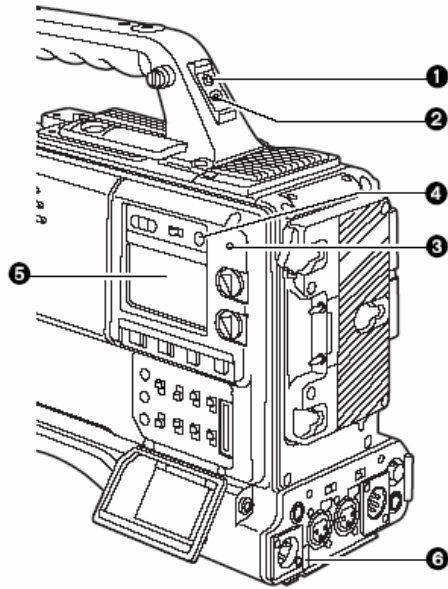
① MENU button

This is used to switch the menu ON and OFF.

② JOG dial button

This is used to select the menu items and perform settings when the **MENU button ①** is at the ON position.

The LIGHT button is located on the left side of camera:



1 Back tally lamp

When the back tally switch **2** is set to ON, this lamp serves the same function as the front tally lamp in the viewfinder.

2 Back tally switch

This is used to control the unit's back tally lamp **1** and rear tally lamp **6**.

ON : The back tally lamp and rear tally lamp operate.

OFF : The back tally lamp and rear tally lamp do not operate.

3 WARNING lamp

When a problem of some form or other occurs within the VTR unit, this lamp flashes or lights.

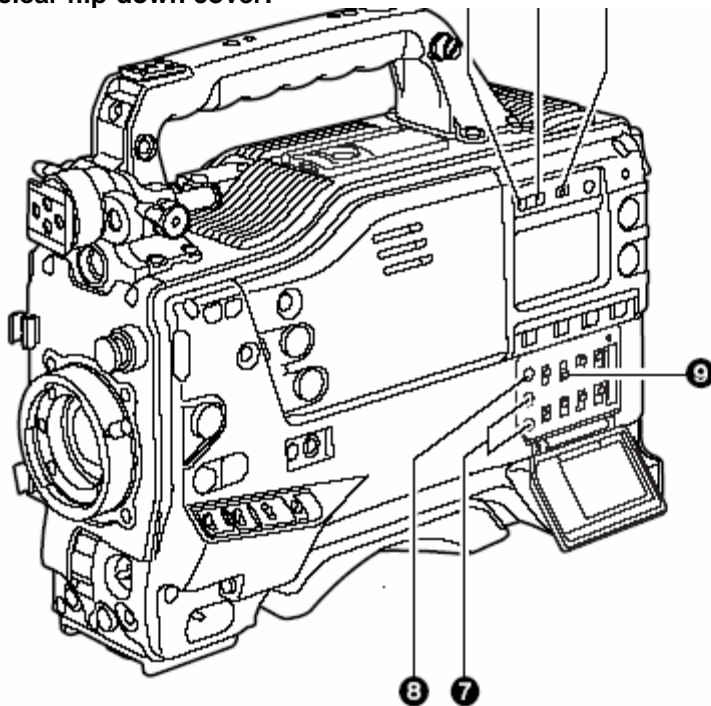
4 LIGHT switch

This controls the lighting of the display window.

Each time it is pressed, the lighting of the display window

5 is set in turn from on to off or vice versa.

The TCG switch is located on the left side of the camera towards the back; it is covered by a clear flip-down cover:



7 “+” button, “-” button

These are used to increment or decrement by 1 the figure in the digit which was made to flash by the SHIFT button **8** when the time code or user bits are to be set.

8 SHIFT button

This causes the digit to be set to flash when the time code or user bits are to be set.

9 TCG (time code selector) switch

This is used to set the running mode of the built-in time code generator.

F-RUN : Set here to have the time code run all the time regardless of the VTR's operation.

This position is used to align the time code with the time or externally lock the time code.

SET : Set here when the time code or user bits are to be set.

R-RUN : Set here to have the time code run only during recording. The time code on the tape with scene-to-scene continuity is recorded continuously.