

# VC-200/300HD

PRELIMINARY RELEASE

## HD / HDV / DV MEDIA CONVERTER

Bi-directional Media Converter with built in Audio Delay

**EDIROL**  
by Roland

### VC-200HD



### VC-300HD



### Bi-directional Conversion:

HDV (digital) ↔ HD Component (analog)

HDV (digital) ↔ HD-SDI (digital) \*

DV (digital) ↔ SD Component (analog)

DV (digital) ↔ SD-SDI (digital) \*

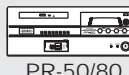
\* VC-300HD only

### Example Configuration

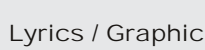
#### Live Video Sources



#### Pre-recorded Video Clips



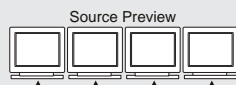
#### PR-1000HD & DVI-300HD



#### Lyrics / Graphics



Computer



Source Preview



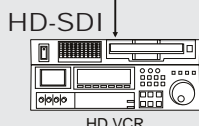
Projector



V-440HD Mixer

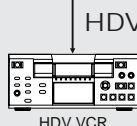


VC-300HD Converter



HD-SDI

HD VCR



HDV

HDV VCR



Audio Mixer

#### Audio Sources



Guitar Effects Processor



Synthesizer



Drums

For live performance and simultaneous recording

# VC-200/300HD

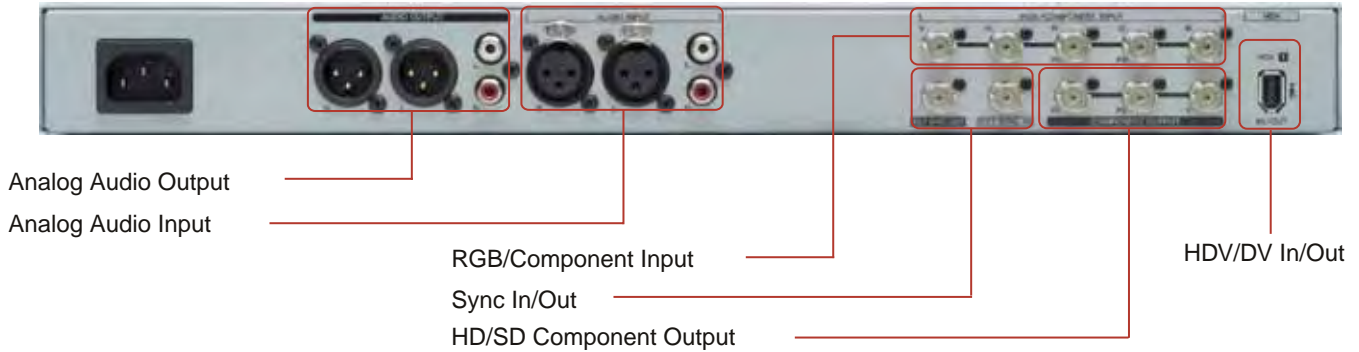
PRELIMINARY RELEASE

## HD / HDV / DV MEDIA CONVERTER

Bi-directional Media Converter with built in Audio Delay

**EDIROL**  
by Roland

### VC-200HD



### VC-300HD



#### Bi-Directional Conversion

A single VC-200/300HD unit supports both directions of a conversion. There is no need to add another unit for the opposite signal flow direction.

#### Built-in Audio Delay

There is no need to include a separate audio delay unit in your signal flow. Any latency in the video signal can be compensated for in the audio signal by adjusting the delay in milliseconds or number of frames.

#### Multiple Active Outputs

With all outputs staying active, it is possible to record the source signal from different outputs at the same time. For example, a component HD source can be captured on a HDV VTR and a HD-SDI based VTR.

#### Auto Format Detection

With the auto format detection feature, there is no need to specifically select a particular input signal format.

#### External Sync

In/Out sync terminals allow GEN lock with external devices.

#### SDI with Embedded Audio (VC-300HD only)

The VC-300HD supports embedded audio on the SDI output. Audio from analog or digital sources can be embedded as part of the HD/SD-SDI output signal.

### Specifications

Video Format	Analog Component : Y/Pb/Pr (1080i, 720p, 576i, 480i) IEEE 1394 : HDV (1080i or 720p) or DV (480i or 576i) SDI : 1080i, 720p, 576i, 480i *	Output Terminals	Digital : DV/HDV 6 pin type conforms to IEEE 1394 x 2 Analog Video : Component (Y/Pb/Pr) Analog Audio : Stereo RCA (-10dBu) or XLR (+4dBu) Sync : BNC type
Sync	Tri-level Sync (1080i, 720p) or Bi-level Sync (480i, 576i)	Power Supply	AC117V, 230V, 240V (50/60Hz), 220V (60Hz)
Audio Format	HDV : MPEG1 Layer II 16bit/48kHz/384kbps DV : PCM 16 bit 48kHz SDI : SMPTE 299M, 272M (PCM 24 bit 48kHz) *	Power Consumption	50W
Input Terminals	Digital : DV/HDV 6 pin type conforms to IEEE 1394 x 2 Analog Video : Component (Y/Pb/Pr) or RGB (RGBHV) Analog Audio : Stereo RCA (-10dBu) or XLR (+4dBu) Sync : BNC type	Dimensions	482(W) x 480(D) x 44(H) mm, 19 inch rack mountable (1U)
		Weight	3kg

\* VC-300HD only

Feature specifications are subject to change without notice.

**Roland**  
Systems Group U.S.

14830 DESMAN ROAD  
LA MIRADA, CA 90638

EDIROL.COM  
TOLL FREE: 800.380.2580 • FAX: 800.634.8202