

Blackmagic Pocket Cinema Camera 6K



\$2,495

The Blackmagic Pocket Cinema Camera 6K features a Super 35 size sensor, 13 stops of dynamic range and dual native ISO up to 25,600 for HDR images and incredible low light performance. External controls give quick access to essential functions, while the large 5 inch touchscreen makes it easy to frame shots, focus accurately and change camera settings. Features include built in SD/UHS-II or CFast 2.0 recorders for Blackmagic RAW or ProRes recording as well as a USB-C expansion port for recording externally to disks, plus EF lens mount, built-in microphones, XLR input, full sized HDMI, 3D LUT support, Bluetooth and more.

Camera Features

Effective Sensor Size

23.10mm x 12.99mm (Super 35)

Lens Mount

Active EF mount.

Lens Control

Iris, focus and zoom on supported lenses.

Dynamic Range

13 Stops.

Dual Native ISO

400 and 3200

Shooting Resolutions

6144 x 3456 (6K) up to 50 fps
 6144 x 2560 (6K 2.4:1) up to 60 fps
 5744 x 3024 (5.7K 17:9) up to 60 fps
 4096 x 2160 (4K DCI) up to 60 fps
 3840 x 2160 (Ultra HD) up to 60 fps
 3728 x 3104 (3.7K 6:5 anamorphic) up to 60 fps
 2868 x 1512 (2.8K 17:9) up to 120 fps
 1920 x 1080 (HD) up to 120 fps

Frame Rates

Maximum sensor frame rate dependent on resolution and codec selected. Project frame rates of 23.98, 24, 25, 29.97, 30, 50, 59.94 and 60 fps supported.

Off-speed frame rates up to 60 fps in 6K 2.4:1, 120 fps in 2.8K 17:9 and 1080HD.

Focus

Auto focus available using compatible lenses.

Iris Control

Iris wheel and touchscreen slider for manual iris adjustment on electronically controllable lenses, iris button for instant auto iris settings on compatible lenses.

Screen Dimensions

5" 1920 x 1080.

Screen Type

LCD capacitive touchscreen.

Metadata Support

Automatically populated lens data from electronic EF lenses. Automatic recording of camera settings and slate data such as project, scene number, take and special notes. A 3D LUT can also be embedded in metadata of Blackmagic RAW files.

Controls

Touchscreen menus on 5 inch screen. 1 x Power Switch, 1 x Record Button, 1 x Stills Button, 1 x Scroll Wheel with push integrated into handgrip, 1 x ISO, Button, 1 x White Balance, 1 x Shutter Button, 3 x software configurable Fn buttons, 1 x High Frame Rate (HFR) Button, 1 x Zoom Button, 1 x Menu Button, 1 x Play Button, 1 x Focus Button and 1 x IRIS Button.

Connections

Total Video Inputs

None.

Total Video Outputs

1 x HDMI Type A

Analog Audio Inputs

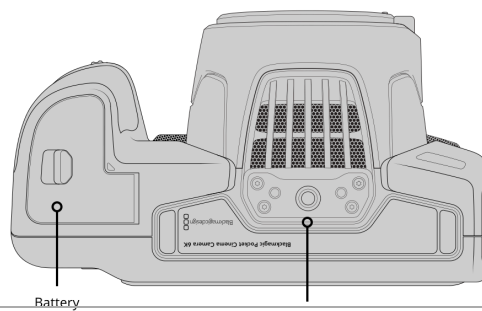
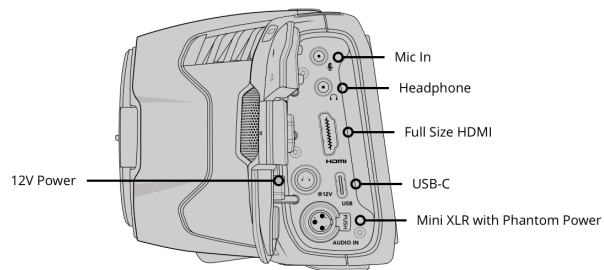
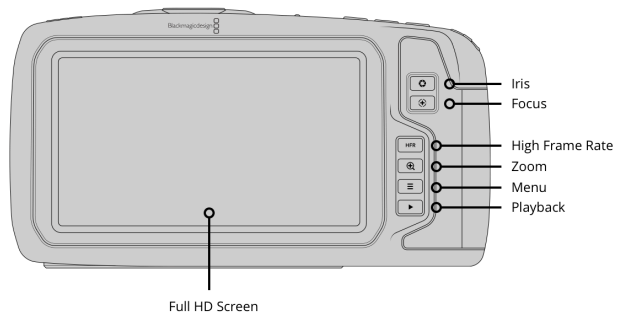
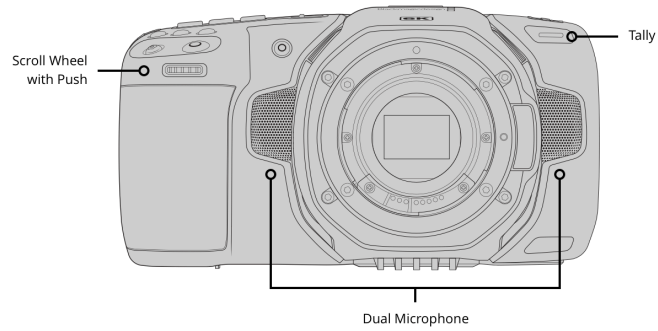
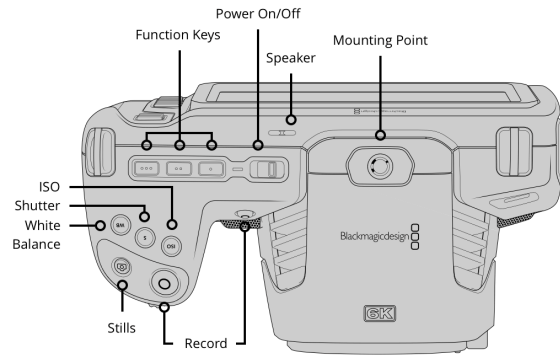
1 x mini XLR analog switchable between mic with phantom power support and line level (up to +14dBu).
1 x 3.5mm Stereo Input. Can also be used for Timecode input.

Analog Audio Outputs

1 x 3.5mm headphone jack.

Computer Interface

USB Type-C for external drive recording and software updates.



Audio

Microphone

Integrated stereo microphone.

Built in Speaker

1 x mono speaker.

Standards

SD Video Standards

None.

HD Video Standards

1080p23.98, 1080p24, 1080p25,
1080p29.97, 1080p30, 1080p50,
1080p59.94, 1080p60.

Ultra HD Video Standards

2160p23.98, 2160p24, 2160p25,
2160p29.97, 2160p30, 2160p50,
2160p59.94, 2160p60.

4K DCI Standards

4KDCIp23.98, 4KDCIp24, 4KDCIp25,
4KDCIp29.97, 4KDCIp30, 4KDCIp50,
4KDCIp59.94, 4KDCIp60.

Media

Media

1 x CFast card slot, 1 x SD UHS-II card slot, 1 x USB-C 3.1 Gen 1 expansion port for external media for Blackmagic RAW and ProRes Recording. Please refer to either the Manual or the Information Note at www.blackmagicdesign.com/support for compatible media.

Media Format

Can format media to ExFAT (Windows/Mac) or HFS+ (Mac) file systems.

Supported Codecs

Codecs

Blackmagic RAW Constant Bitrate 3:1,
Blackmagic RAW Constant Bitrate 5:1,
Blackmagic RAW Constant Bitrate 8:1,
Blackmagic RAW Constant Bitrate 12:1,
Blackmagic RAW Constant Quality Q0,
Blackmagic RAW Constant Quality Q5,
ProRes 422 HQ QuickTime,
ProRes 422 QuickTime,
ProRes 422 LT QuickTime,
ProRes 422 Proxy QuickTime.

Storage Features

Storage Type

1 x CFast 2.0.

1 x SD UHS-II card.

1 x high speed USB-C expansion port
for external media.

Storage Rates

6144 x 3456 (6K)

Blackmagic RAW 3:1 - 323 MB/s

Blackmagic RAW 5:1 - 194 MB/s

Blackmagic RAW 8:1 - 121 MB/s

Blackmagic RAW 12:1 - 81 MB/s

Blackmagic RAW Q0 - 194 to 483 MB/s *

Blackmagic RAW Q5 - 49 to 139 MB/s **

6144 x 2560 (6K 2.4:1)

Blackmagic RAW 3:1 - 240 MB/s

Blackmagic RAW 5:1 - 144 MB/s

Blackmagic RAW 8:1 - 90 MB/s

Blackmagic RAW 12:1 - 60 MB/s

Blackmagic RAW Q0 - 144 to 359 MB/s *

Blackmagic RAW Q5 - 37 to 103 MB/s **

5744 x 3024 (5.7K 17:9)

Blackmagic RAW 3:1 - 264 MB/s

Blackmagic RAW 5:1 - 159 MB/s

Blackmagic RAW 8:1 - 100 MB/s

Blackmagic RAW 12:1 - 67 MB/s

Blackmagic RAW Q0 - 159 to 395 MB/s *

Blackmagic RAW Q5 - 40 to 114 MB/s **

4096 x 2160 (4K DCI)

Apple ProRes 422 HQ - 117.88 MB/s

Apple ProRes 422 - 78.63 MB/s

Apple ProRes 422 LT - 54.63 MB/s

Apple ProRes Proxy - 24.25 MB/s

3840 x 2160 (Ultra HD)

Apple ProRes 422 HQ - 110 MB/s

Apple ProRes 422 - 73.6 MB/s

Apple ProRes 422 LT - 51 MB/s

Apple ProRes Proxy - 22.4 MB/s

3728 x 3104 (3.7K 6:5 anamorphic)

Blackmagic RAW 3:1 - 176 MB/s

Blackmagic RAW 5:1 - 106 MB/s

Blackmagic RAW 8:1 - 67 MB/s

Blackmagic RAW 12:1 - 45 MB/s

Blackmagic RAW Q0 - 106 to 265 MB/s *

Blackmagic RAW Q5 - 27 to 76 MB/s **

2868 x 1512 (2.8K 17:9)

Storage rates based on 30 frames per second.

*

Constant Quality setting Q0 storage rates quoted are indicative only, based on a 2:1 - 5:1 compression range.

**

Constant Quality setting Q5 storage rates quoted are indicative only, based on a 7:1 - 20:1 compression range.

Actual storage rates are entirely dependent on image subject matter.

Blackmagic RAW 3:1 - 67 MB/s

Blackmagic RAW 5:1 - 41 MB/s

Blackmagic RAW 8:1 - 26 MB/s

Blackmagic RAW 12:1 - 17 MB/s

Blackmagic RAW Q0 - 41 to 101 MB/s *

Blackmagic RAW Q5 - 11 to 29 MB/s **

1920 x 1080

Apple ProRes 422 HQ - 27.5 MB/s

Apple ProRes 422 - 18.4 MB/s

Apple ProRes 422 LT - 12.75 MB/s

Apple ProRes Proxy - 5.6 MB/s

Recording Formats

Blackmagic RAW 3:1, 5:1, 8:1, 12:1, Q0 and Q5 at 6144 x 3456, 6144 x 2560, 5744 x 3024, 3728 x 3104 and 2868 x 1512 with film, extended video, video dynamic range or custom 3D LUT embedded in metadata.

ProRes at 4096 x 2160, 3840 x 2160 and 1920 x 1080 with film, extended video or video dynamic range or custom 3D LUT.

Software

Software Included

Pocket Cinema Camera 6K
Operating System.

Operating Systems



Mac 10.13 High Sierra,
Mac 10.14 Mojave or later.



Windows 10.

Power Requirements

Power Supply

1 x External 12V power supply.

External Power Input

1 x 2-pin locking connector.

Battery Type

Canon LP-E6.

Battery Life

Approximately 45 minutes
(recording 6K RAW at 24 fps to
CFast 2.0 with screen brightness
at 50%)

Power

12V-20V.

Accessories

Optional Accessories

Blackmagic Pocket Camera Battery Grip.

Physical Specifications



Environmental Specifications

Operating Temperature

0° to 40°C (32° to 104°F)

Storage Temperature

-20° to 45°C (-4° to 113°F)

Relative Humidity

0% to 90% non-condensing

What's Included

Blackmagic Pocket Cinema Camera 6K

Lens turret dust cap

Camera strap

30W power supply with locking connector and international adapters

LP-E6 battery

Welcome booklet

DaVinci Resolve Studio activation key

Warranty

Product Warranty

12 Month Limited Manufacturer's Warranty.

All items on this website are copyright Blackmagic Design Pty. Ltd. 2019, all rights reserved.

All trademarks are property of their respective owners. MSRP includes duties, but excludes sales tax and shipping costs.

This website uses remarketing services to advertise on third party websites to previous visitors to our site.

You can opt out at any time by changing cookie settings. [Privacy Policy](#)

Blackmagic Design Authorized Reseller