



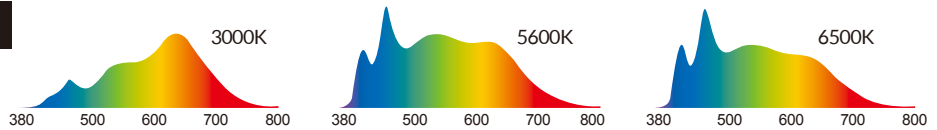
Matrix Intelligent Panel Light

Agility / Intensity



LED Source	4x Dense Matrix LED
CRI	≥ 93 (3000-5600K)
Tunable CCT	2800–6500K + Hue Control
Beam Angle	96° (w/o Fresnel Lens) / 30° (w/ Fresnel Lens)
Input Voltage	45-54 DC Input
Dimming	0-100%
Thermal	Active Cooling System
Dimensions	6.7" L x 11.6" W x 16.5" H
Weight	9.5 lbs / 4.3 kg
Material	Aluminum Housing / Bracket
Rotation / Tilt	+/- 90°
Accessory Mounting	Clip On Attachment (Fresnel Lens, Barndoor)
Operating Temp	32 to 104°F / 0 to 40°C
Expected Life	42,000 hrs - (15 Years of Average Use)
Warranty	1 Year

OPTICAL SPECTRUM

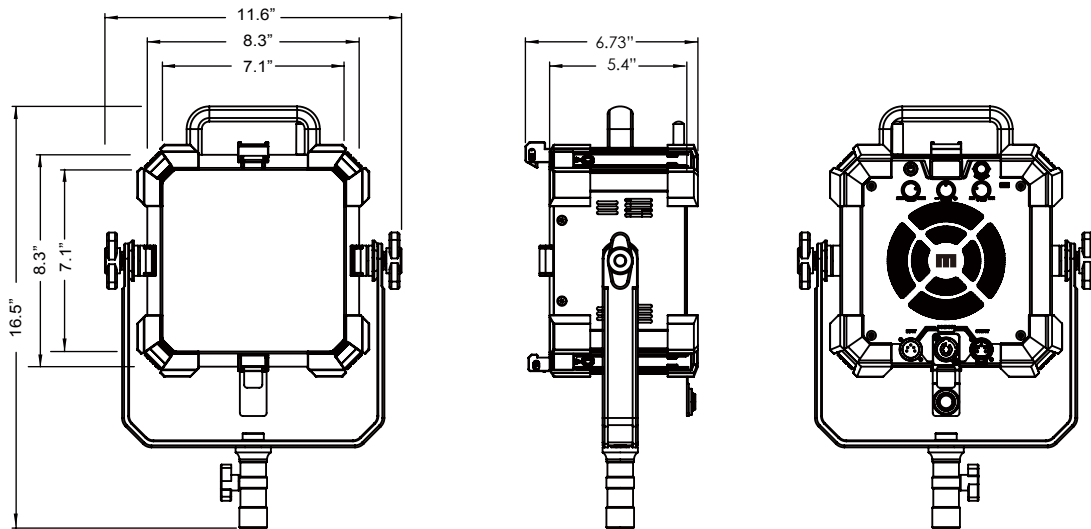


CRI Measurement*	R1	R2	R3	R4	R5	R6	R7	R8	R9	R10	R11	R12	R13	R14	R15	CRI Ra**	CRI Extended**	TLCI Results
3000K	99	98	91	98	98	96	98	98	92	89	97	83	99	93	99	97	95	96
5600K	97	99	98	91	94	96	94	92	82	94	91	77	98	99	95	95	93	94
6500K	97	98	97	90	93	96	93	92	85	97	91	78	99	99	94	95	93	94

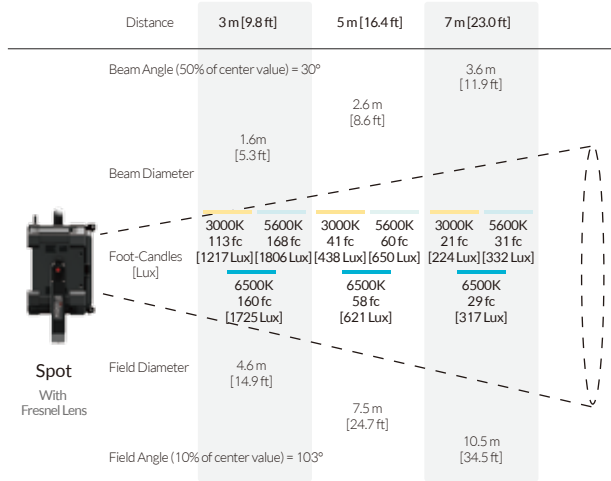
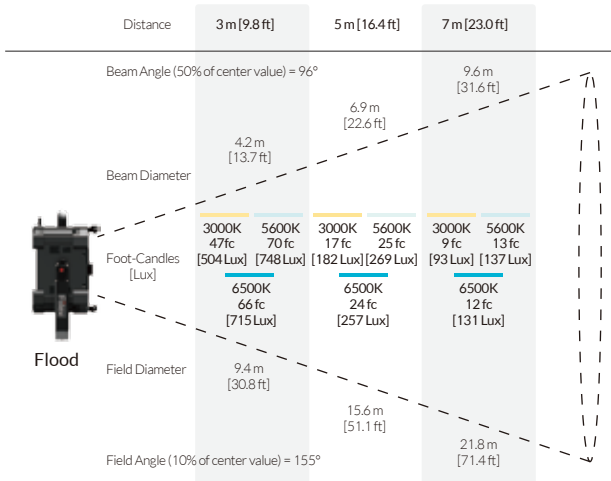
*Values in this table are typical.

**CRI Ra is the averaged result of R1 to R8, CRI Extended is the averaged value of R1 to R15.

MECHANICAL FIGURES



PHOTOMETRIC DATA



OPTIONAL ACCESSORIES



Matrix Fresnel Lens
P/N: FLXA047



Matrix Barndoor
P/N: FLXA047



Matrix Softbox
P/N: FLXA066



Matrix Softbox Grid
P/N: FLXA069